

Eliminates Metal - No Rust

NEW!
SMOKE & FIRE
RATED
 UL 2043

Cone

Plaque

MORE DURABLE

- No rust, no corrosion
- Won't fade or yellow
- Scratches don't show
- No painting or repainting
- Won't bend
- Mildew resistant

EASY INSTALLATION

- 50% lighter than metal
- Extra tall neck - 2 3/8"
- No cut fingers/sharp edges
- Drop/damage resistant
- Compatible with standard duct and damper sizes

PEAK PERFORMANCE

- Air flow consistent with metal
- Antistatic
- Resists sweating
- Flame Resistant
Meets UL94HB flame spread test
- Fire rated version available
Meets UL 2043, Test for Fire, Heat, & Smoke for air handling spaces

ATTRACTIVE

- Consistent smooth finish
- More dimensionally stable
- Indistinguishable from metal when installed

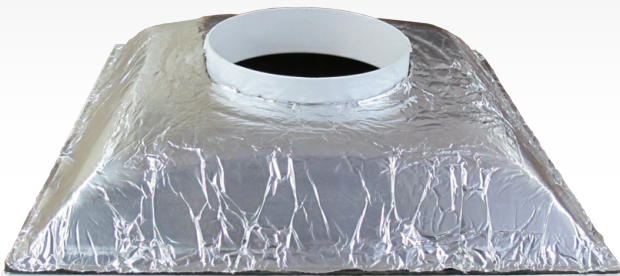


STRATUS™

DIFFUSERS



Back side of cone diffuser



Insulation Blanket Available

MATERIAL

Engineered Polymers
Stainless Steel Screws

STYLES

Cone: 23.75" x 23.75" for T-grid ceilings
Plaque: 23.75" x 23.75" for T-grid ceilings

NECK SIZES

6", 8", 10", 12", 14" (nominal duct sizes)

INSULATION BLANKET - OPTIONAL

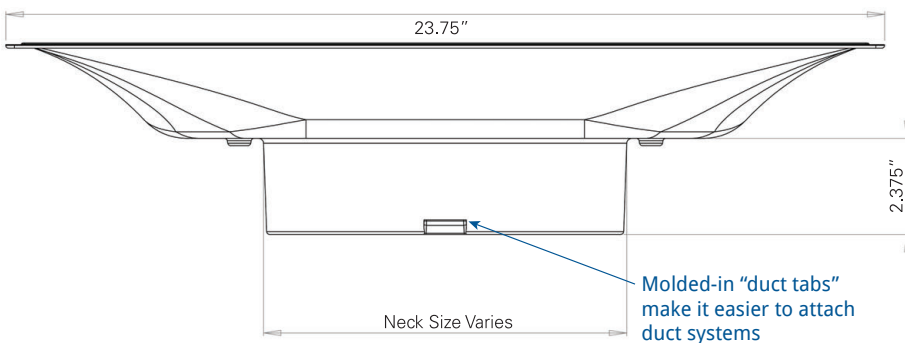
R6 thermal resistance, fiberglass insulation comes preattached to diffuser

COLORS

White, Black

Custom colors available with minimum order quantity

Performance data available upon request



PERFECT FOR:

Hospitals
MRI Centers
Restaurants
Theaters
Food Processing
Offices
Commercial Buildings
Clean Environments



AMERICAN LOUVER COMPANY®
7700 N. Austin Avenue
Skokie, IL 60077
(800) 772-0355
FAX (847) 966-8074
AmericanLouver.com

MADE IN THE USA

Distributed by: