

## Insulation Blanket

Molded fiberglass with foil face  
 R6 Thermal Resistance  
 For 24" x 24", t-grid diffusers

Fire Hazard Classification

Class A Fire Rating  
 ASTM E84 & UL723  
 Flame Spread <25  
 Fuel Contribution <50  
 Smoke Development <50

Moisture Absorption

Less than 1% by volume  
 ASTM C553-70

Mold Resistant

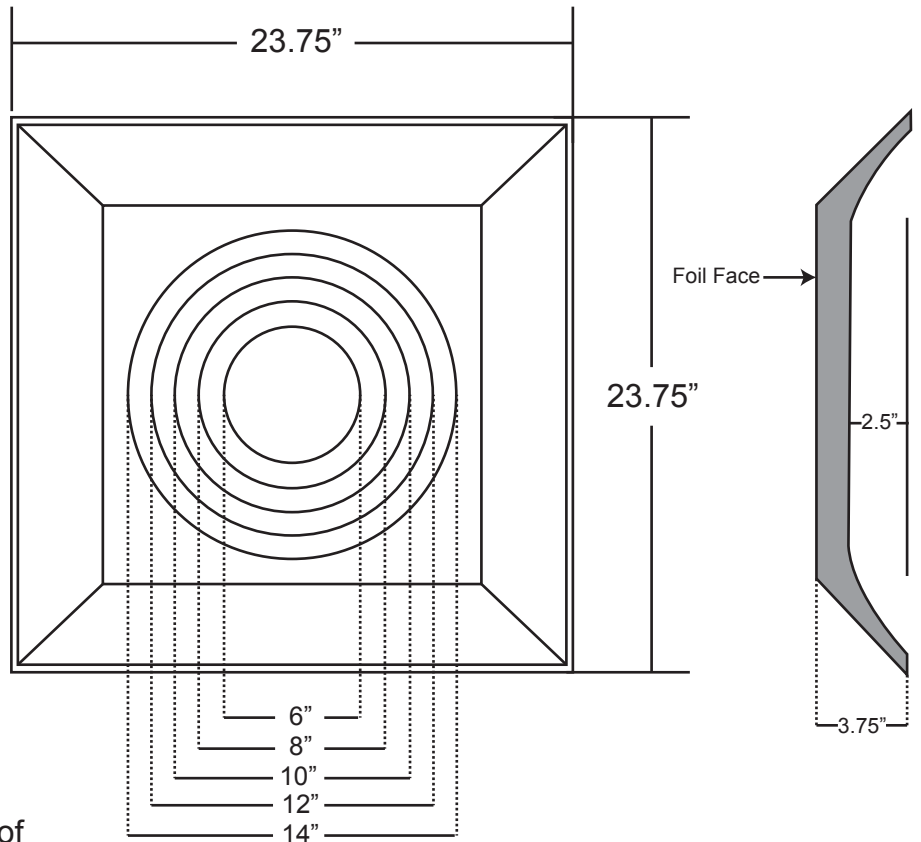
UL181 Erosion and Impact test

Non Corrosive

Will not corrode or accelerate the corrosion of aluminum, steel or copper

Other

Will not rot or corrode  
 Normally not affected by water, oils, gasoline, or other standard solvents



Job:	_____
Location:	_____
Architect:	_____
Engineer:	_____
Contractor:	_____