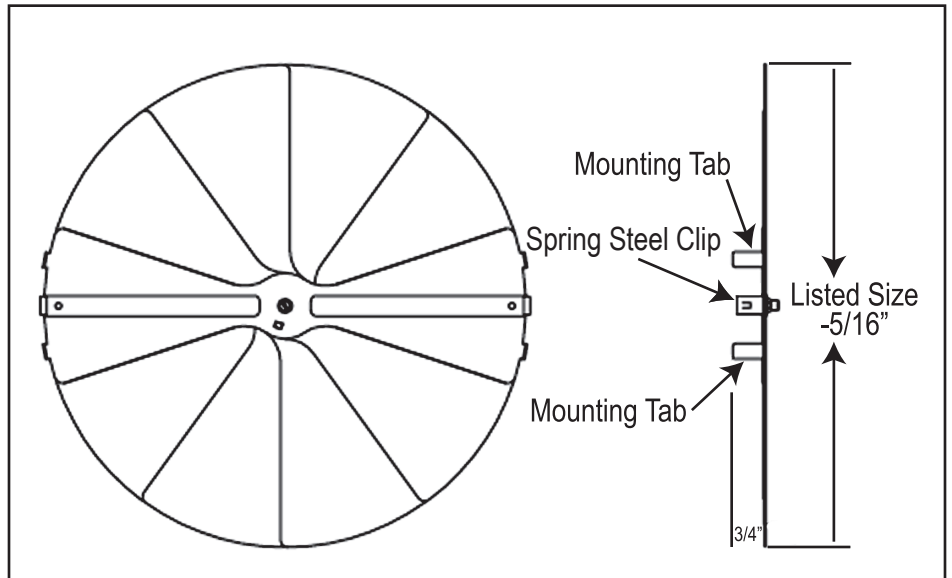
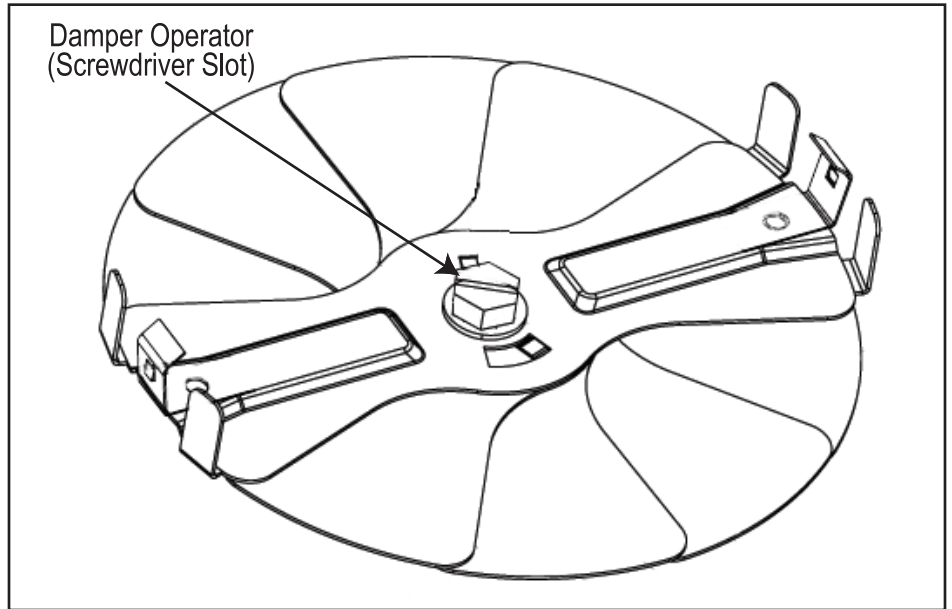


## Radial Dampers

Model ALRD  
 Galvanized Steel  
 Mill Finish

Available Sizes

- 6"
- 8"
- 10"
- 12"
- 14"



Job: \_\_\_\_\_

Location: \_\_\_\_\_

Architect: \_\_\_\_\_

Engineer: \_\_\_\_\_

Contractor: \_\_\_\_\_