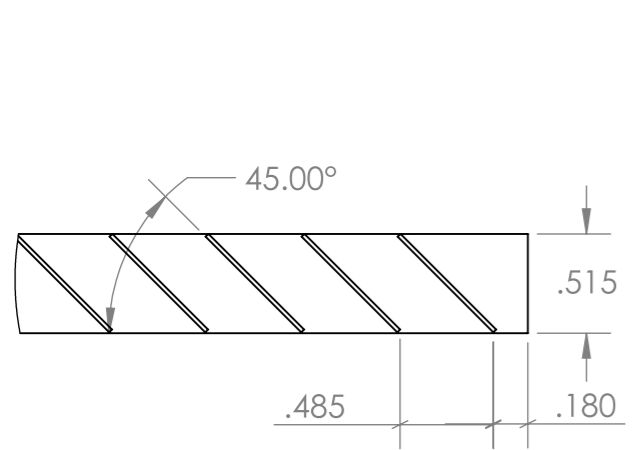
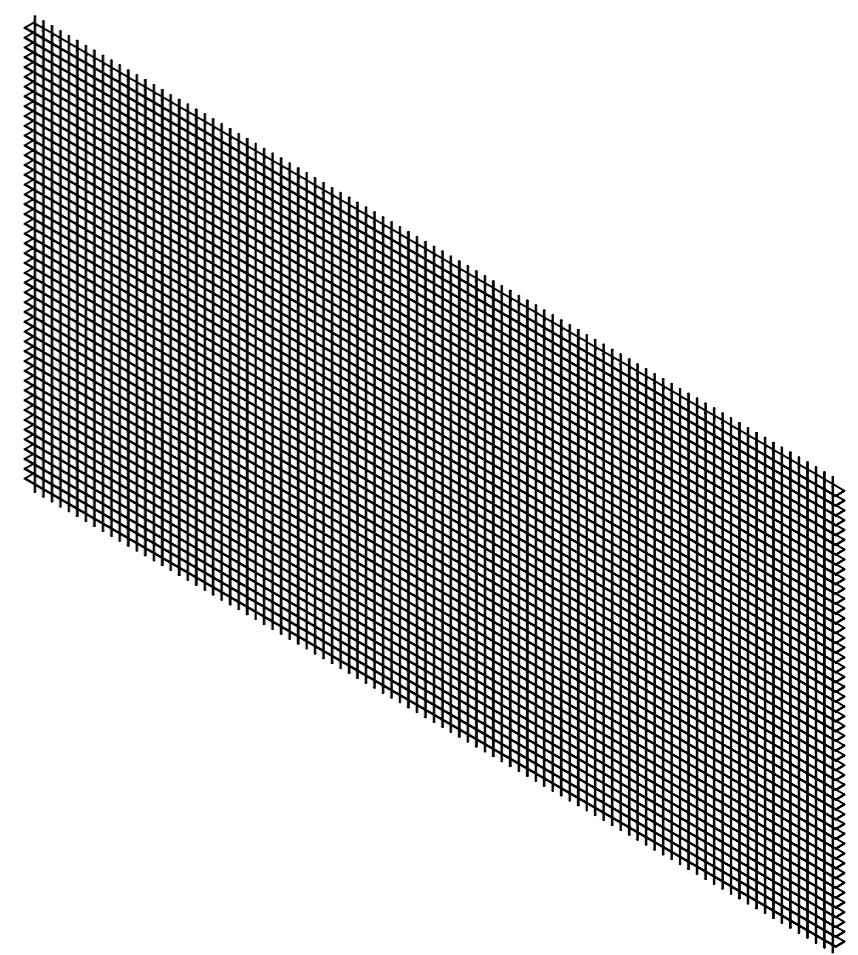
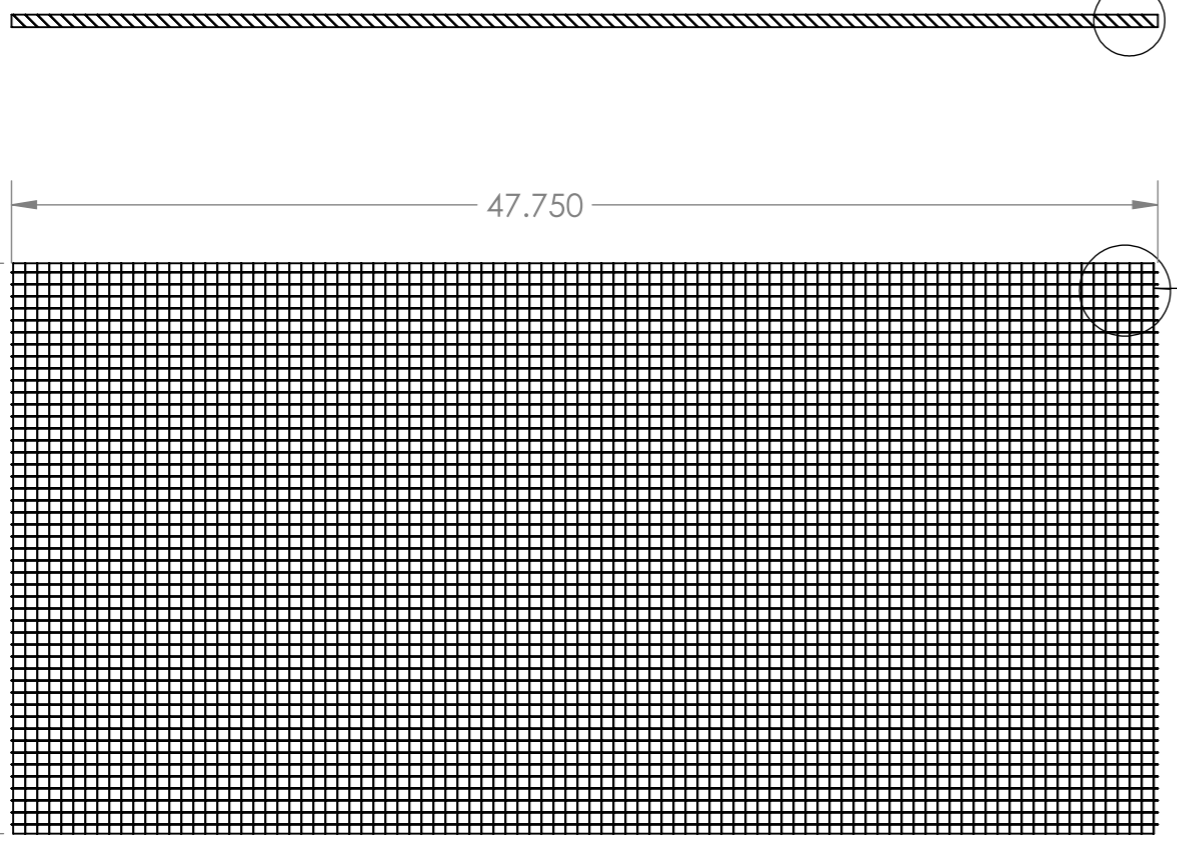


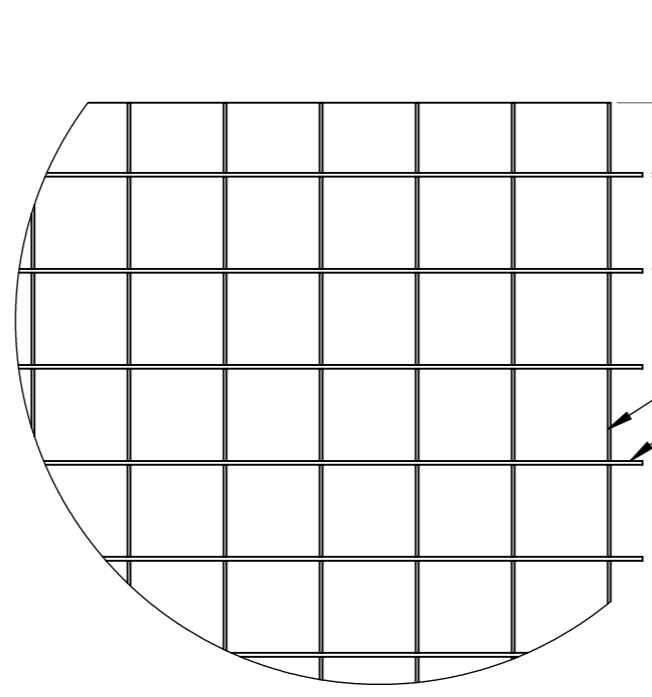
8 7 6 5 4 3 2 1

F
E
D
C
B
A

F
E
D
C
B
A



DETAIL A
SCALE 1 : 1



DETAIL B
SCALE 1 : 1



Number of pattern toward length 95 Nos.
Number of pattern toward Width 47 Nos.

Notes:
- All Dimensions are in Inch.

UNLESS OTHERWISE SPECIFIED: DIMENSIONS ARE IN MILLIMETERS		FINISH: ALUMWHT-45-2448		DEBURR AND BREAK SHARP EDGES		DO NOT SCALE DRAWING		REVISION 10-2020	
SURFACE FINISH:		ALUMMIL-45-2448							
TOLERANCES: LINEAR: ANGULAR:									
DRAWN		NAME		SIGNATURE		DATE		TITLE: Sight-Guard Aluminum Eggcrate 45 Degree Angle	
CHK'D								DWG NO. Design3	
APPV'D								A3	
MFG								SCALE:1:10	
Q.A						MATERIAL:		SHEET 1 OF 1	
						WEIGHT:			